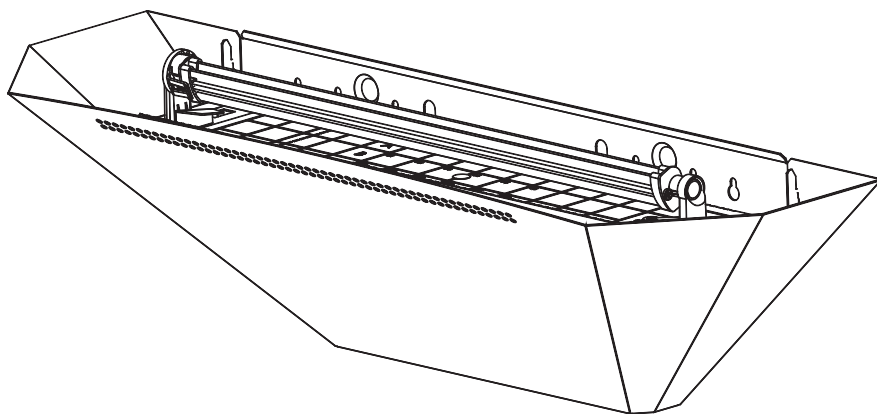


Luralite Galaxy™ LED

Instruction booklet



Article Number

1106078039 (EU) / 1106078041 (UK)

Model

Luralite Galaxy™ LED

Dimensions WxDxH

642 x 244 x 185

UV LED-Strip

1 x 1106002596

Glueboard (x15)

1/2 x 1106002593 / BG-1012-50-15

SAFETY INFORMATION

Please read these instructions carefully and store in a safe place for future reference.



READ USER MANUAL



INDOOR USE ONLY

- This appliance is to be kept out of the reach of children.
- This appliance can be used by children aged from 8 years and above and persons with reduced physical, sensory or mental capabilities or lack of experience and knowledge if they have been given supervision or instruction concerning use of the appliance in a safe way and understand the hazards involved.
- Cleaning and user maintenance shall not be made by children without supervision.
- Children should be supervised to ensure they do not play with the appliance.
- **Warning:** This appliance must be earthed. If the supply cord is damaged, it must be replaced with a special cord or assembly available from the manufacturer or its service agent.
- This appliance is for indoor use only.
- This appliance is not suitable for use in barns, stables, and similar locations or in locations where flammable vapour or explosive dust is likely to exist.

WIRING INSTRUCTIONS

The wires in the mains lead are coloured in accordance with the following code:

BLUE = NEUTRAL

BROWN = LIVE

YELLOW & GREEN = EARTH

As the colours of the wire in the mains lead of this appliance may not correspond with the colour marking identifying the terminals on your plug, proceed as follows:

- The wire which is coloured BLUE must be connected to the terminal which is marked with the letter N.
- The wire which is coloured BROWN must be connected to the terminal which is marked with the letter L.
- The wire which is coloured YELLOW & GREEN must be connected to the terminal which is marked with the letter E or the symbol

GUARANTEE

Luralite Galaxy LED™ has a two year guarantee and if maintained as recommended in these instructions should continue to work for many years. Use of non-approved consumables may invalidate the guarantee. The guarantee does not cover consumables, (UV lamps and glueboards), breakdown due to misuse, incorrect operation or use in an incorrect application.

CONTENTS OF PACKAGE

- 1 x Luralite Galaxy LED™ insect light trap
- 1 x 18 LED Long UV lamp (fitted)
- 1 x Universal EasyCount™ glueboard
- 2 x Screws and wall plugs
- 1 x IEC removeable mains cable.

POSITIONING AND GUIDANCE

Insect light traps should be installed two metres or lower to the ground, preferably in the darkest place within the area to be protected. Do not position the unit close to windows, skylights or other sources of light, or where it may be obscured by furniture, doors or other obstacles. Ideally, insect light traps should be visible from every part of the area to be protected.

Insect light traps are designed to be in operation for 24 hours a day, ensuring your premises are kept free of flying insects. Insects are most attracted to insect light traps at night when there is no competition from daylight or other light sources.

INSTALLATION

Offer the unit up to the mounting surface and mark the two fixing points on the wall. Drill holes through the marked fixing points and insert the supplied wall plugs. (For specialist wall surfaces such as plasterboard, appropriate wall plugs should be used.) Fit the fixing screws, leaving the head slightly proud from the wall. Hang Luralite Galaxy LED™ onto the fixing screws, then tighten up from the front of the unit. Then offer the front guard into position, hooking into place on the two hooks at the top of the chassis. Once Luralite Galaxy LED™ is installed in position, fit the glueboard in place as described in the glueboard replacement section of this document. Use the removable mains lead and plug to connect the Luralite Galaxy LED™ to an appropriate power supply.

MAINTENANCE

CAUTION RISK OF ELECTRIC SHOCK.

CLEANING

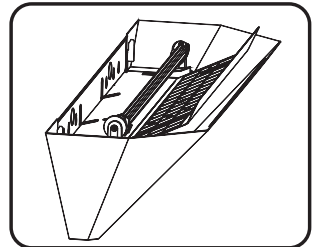
Cleaning should be carried out only after ensuring the unit is disconnected from the mains. It is recommended that cleaning is carried out monthly. The unit should be thoroughly wiped down with a damp cloth, removing any build-up of dirt. Ensure the unit is completely dry before reconnecting it to the power supply. We recommend to clean the unit using only a damp cloth which does not contain any chemicals other than mild detergent.

GLUEBOARD REPLACEMENT

The glueboard should only be replaced with a genuine Universal EasyCount™ glueboard. Use of non-approved glueboards may invalidate your guarantee.

To replace the glueboard...

1. Isolate the unit from the mains power supply before servicing.
2. Remove the used glueboard by gripping the front, glue-free section of the glueboard, and pull forwards and clear on the unit.
3. Tear along the perforations in the new Universal EasyCount™ glueboard, using either sections 3 or 5 within Luralite Galaxy LED™, retaining the unused part for use another time.
4. Remove the release paper from the new glueboard.
5. Offer the new glueboard up to the unit, before carefully sliding towards the back of the chassis, under the two side glueboard runners.
6. Reconnect the mains power supply and ensure the UV LED lamp is switched on.



UV LED LAMP REPLACEMENT

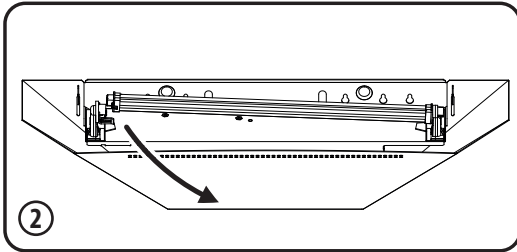
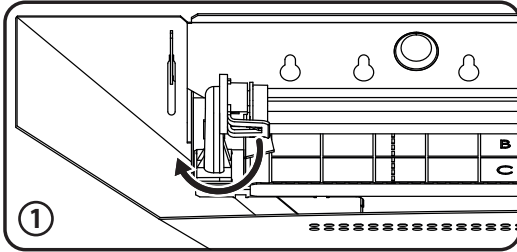
UV LED lamp replacement should be carried out only after ensuring the unit is disconnected from the mains. The UV output from the UV LED lamp slowly breaks down over time, and the level of UV emitted drops. To maintain appropriate levels of protection against flying insects, the UV LED lamp should be replaced after three years of use.

To replace the UV LED lamp...

1. Isolate unit from mains power supply.
2. Locate the left lampholder on the chassis and pull forward the clip holding the UV lamp in place.
3. Slide the UV lamp to the right, (releasing it from the left lampholder), then swing the UV lamp up and free from the right lampholder.
4. Dispose of the UV LED lamp in conjunction with local WEEE regulations (see Information on Disposal for Users of WEEE).

INSERTING A NEW LED LAMP

1. To install the new LED UV Lamps, reverse the above procedure, ensuring that the lampholder clip 'clicks' in place when lamp is inserted, securing it firmly in place.
2. Care should be taken when handling the LED UV Lamps not to touch the individual LED elements / lenses.
3. Reconnect mains power supply and ensure the UV LED lamps switch on.



SPECIFICATION / REPLACEMENT PARTS

Model	Luralite Galaxy™ LED
Voltage	110-230V ~ 50-60Hz
Dimensions (mm)	642 x 244 x 185
Weight (kg)	2.3kg
UV LED lamps (Pack of 2)	1 x 1106002596
Glueboard (Pack of 15)	1/2 x 1106002593 / BG-1012-50-15



For private households: Information on Disposal for Users of WEEE

This symbol on the product(s) and / or accompanying documents means that used electrical and electronic equipment (WEEE) should not be mixed with general household waste. For proper treatment, recovery and recycling, please take this product(s) to designated collection points where it will be accepted free of charge. Alternatively, in some countries, you may be able to return your products to your local retailer upon purchase of an equivalent new product. Disposing of this product correctly will help save valuable resources and prevent any potential negative effects on human health and the environment, which could otherwise arise from inappropriate waste handling. Please contact your local authority for further details of your nearest designated collection point. Penalties may be applicable for incorrect disposal of this waste, in accordance with your national legislation.

For professional users in the European Union

If you wish to discard electrical and electronic equipment (EEE), please contact your dealer or supplier for further information.

For disposal in countries outside of the European Union

This symbol is only valid in the European Union (EU). If you wish to discard of this product, please contact your local authorities or dealer and ask for the correct method of disposal.

We are constantly developing our products to meet the evolving standards of our customers and as such, information in our instruction manuals may change. Please visit www.pelsis.com for the latest version of this manual. It is not intended that this manual forms part of any contract with Pelsis Ltd.

LuraliteGalaxy™LED



Pelsis Ltd, HG5 8PJ, UK
Pelsis Belgium NV, Bornem 2880
Pelsis LLC, Jackson, GA 30233, USA

www.insectocutor.eu